

NOR-LAKE, INCORPORATED
727 Second Street
P.O. Box 248
Hudson, Wisconsin 54016

800-955-5253
715-386-2323
800-388-5253 Service
866-961-5253 Parts
715-386-6149 FAX
www.norlake.com



NOR-LAKE SHELVING SYSTEMS

STRONG, VERSATILE, ASSEMBLES IN MINUTES



STANDARD FEATURES

SHELVING KITS

Shelving kits specifically designed for each walk-in configuration are offered as an optional extra. These kits are shipped with the walk-in so that all necessary components are at your location promptly when you need them. The shelving sets are coded to correspond to the walk-in configuration ordered and are offered in either three or four tier.

Two Types of Shelving Systems Are Available From Nor-Lake.

A. Green Kote™ Shelving - Green epoxy coated shelves. 15 year guarantee against corrosion.

B. Nor-Lake Standard Chrome Kote™ Shelving.

Shelving system construction is identical. Select the shelving FINISH of your choice.

Shelving posts are engineered for maximum strength. Shelves are adjustable on 2" centers. All shelves are N.S.F. listed. Special clips are utilized to gain the maximum square footage of storage space for each model. 14", 18" and 24" wide shelves are used as required for maximum storage capacity in each set. This wire shelving is ideal for storage of all refrigerated or frozen products, as well as non-refrigerated storage.

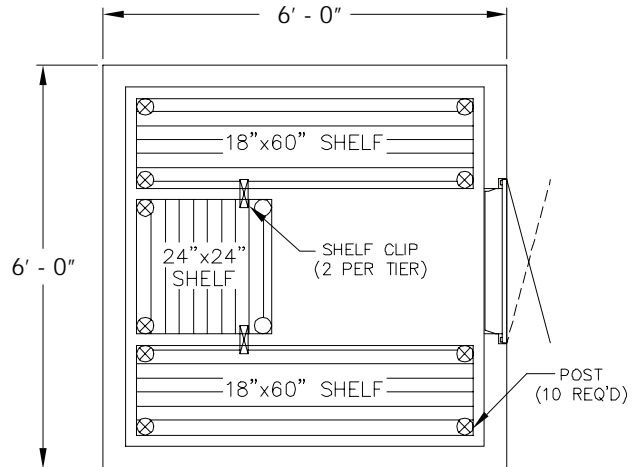
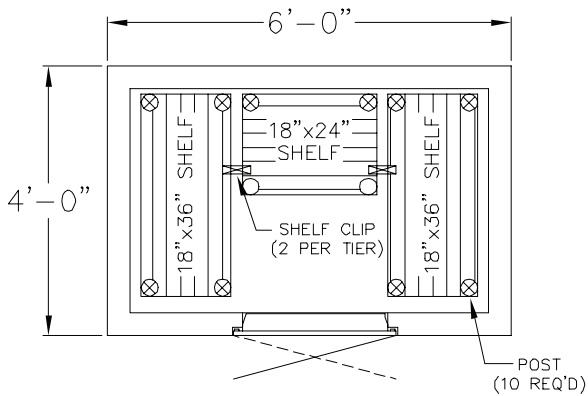
*Most options are available two weeks from receipt of order.
Please contact us for specific questions.



Nor-Lake, Inc.
Registered to ISO 9001:2000
File No. A3204

NOR-LAKE SHELVING SYSTEMS

Typical Shelving System Layouts for Use in Nor-Lake Walk-ins.



SPECIFICATIONS

SHELVES:

Shelves to have #9 (.148") gauge crosswires spaced 3/4" on centers with crossbraces 1/4" (.192") minimum of 4-3/4" on center.

SHELF FRAMES

Channel to be 9/16" x 1" x .075" thick.

SHELF COLLARS

A round tapered 1-5/16" high steel collar to be welded at each corner.

FINISHES

A. Green Kote™: Electrostatically applied green baked epoxy over zinc steel and brite basic wire. Thickness: 4-7 mill.

B. Chrome Kote™: Plated quality wire and steel. Surface nickel chrome plated.

POSTS

Posts to be .062" thick 1" O.D. round tubing notched every 2" on each corner of the post.

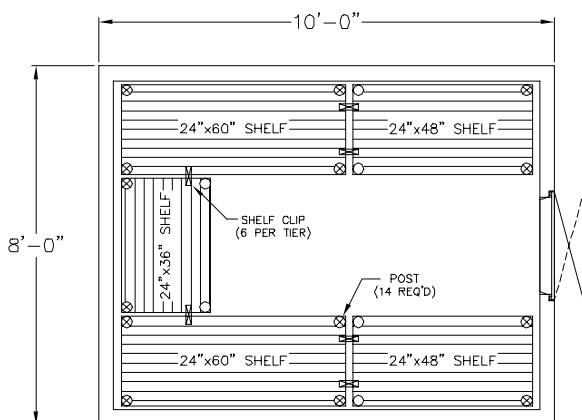
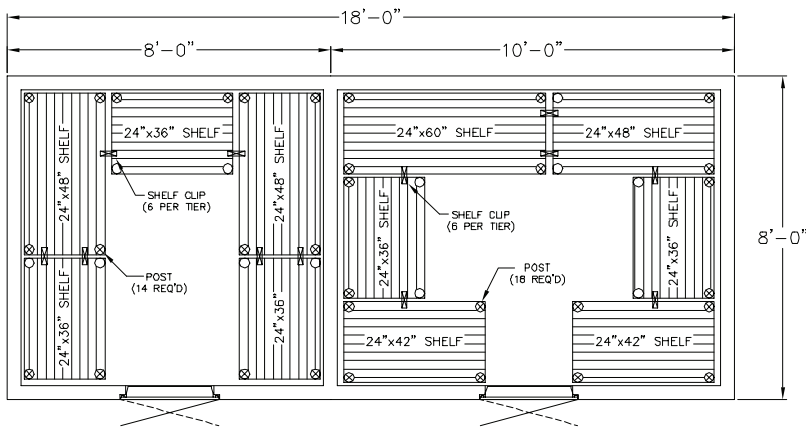
POST LEVELER

Installed on the bottom of each post is nylon housing for a steel leveler 3/8"-16 x 1-3/4".

FINISHES

A. Green Kote™: Electrostatically applied green baked epoxy over green zinc steel and brite basic wire. Thickness: 2-3 mill.

B. Chrome Kote™: Plated quality wire and steel. Surface nickel chrome plated.



ISO 9001:2000

Registered to ISO 9001:2000
File No. A3204

Standex
Food Service Equipment Group

NORLAKE[®]

Revision Date: 4/09
© 2009 NOR-LAKE, INC.
Printed in the U.S.A.
Part Number: 121229